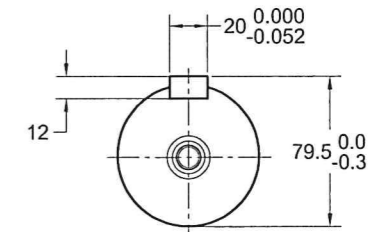
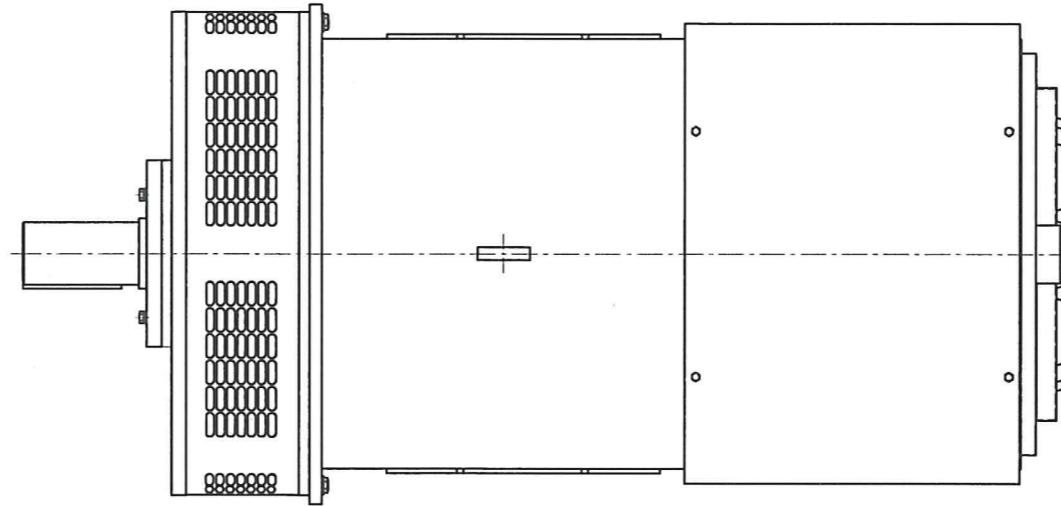
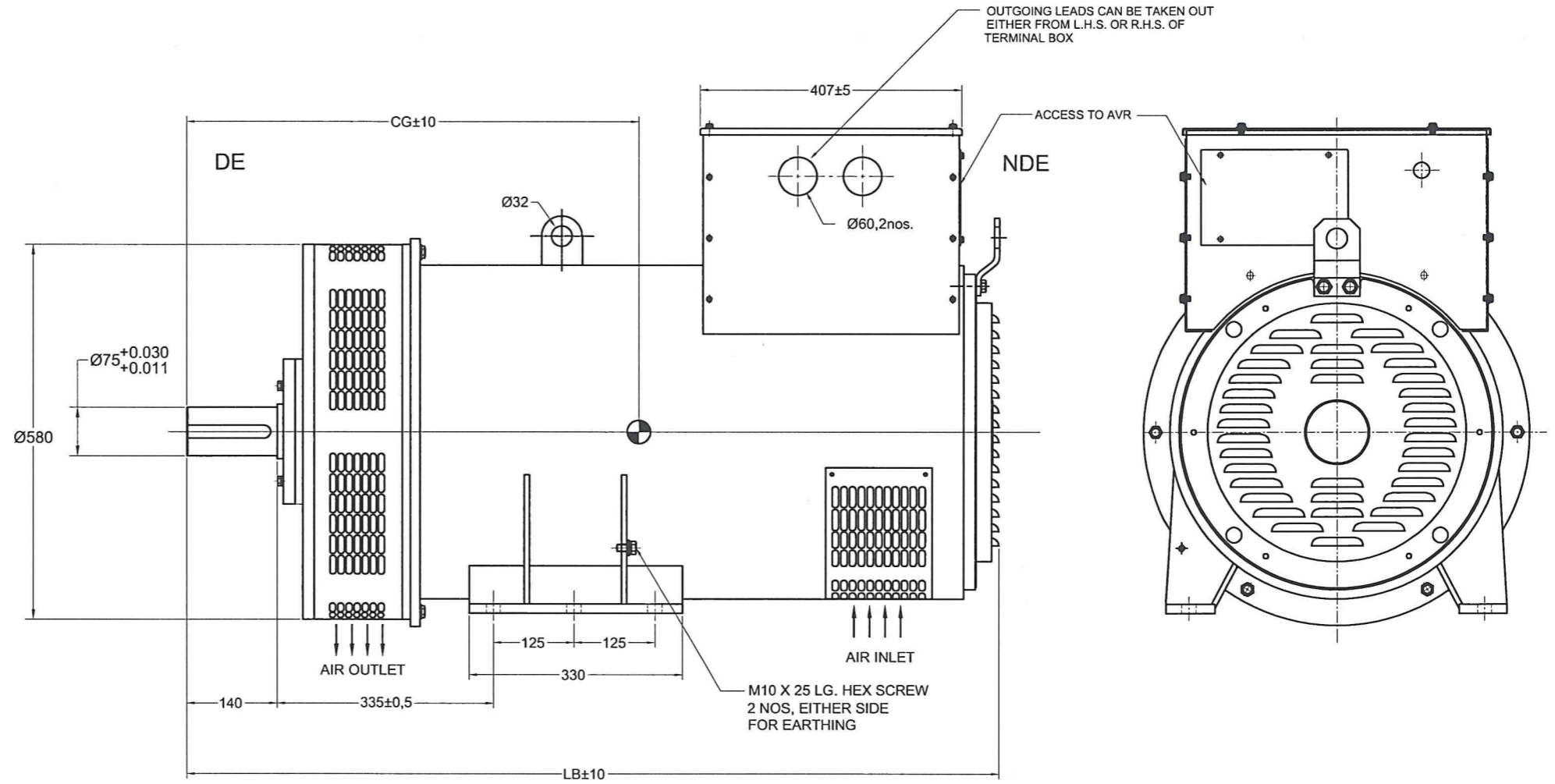
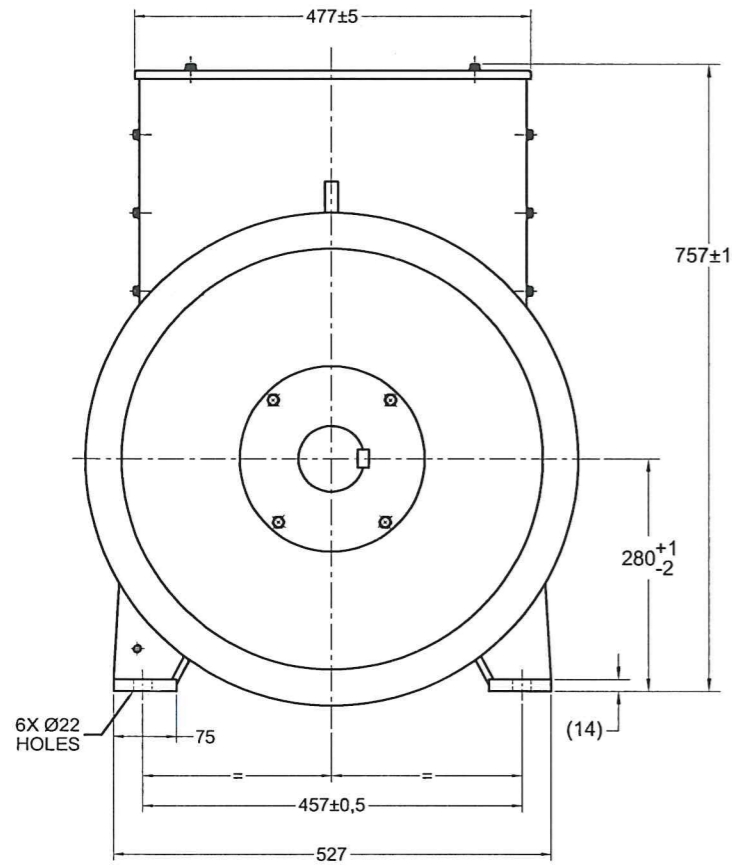


SL No.	FRAME	LB	CG	WEIGHT(kg.) Approx.
1	LSA 280 A	1084	595	600
2	LSA 280 B	1164	605	755
3	LSA 280 C	1164	615	770
4	LSA 280 D	1164	630	810
5	LSA 280 E	1164	645	840
6	LSA 280 F	1259	700	880

NOTE:- 1. SUFFICIENT CLEAR SPACE AROUND THE GENERATOR TO BE PROVIDED FOR FREE ENTRY / EXIT OF THE REQUIRED QUANTITY OF COOLING AIR TO ENSURE GOOD VENTILATION.



SHAFT EXTENSION DETAILS



FRONT VIEW

CONSTRUCTION : B3
 COOLING : IC01
 PROTECTION : IP23

USED ON		LSA 280 24/26 (DOUBLE BEARING)		
SCALE	DRAWN	CHECKED	APPROVED	
NTS	AC	DK	VK	be
DI. 07.5.2024	DI. 07.5.2024	DI. 07.5.2024	DI. 07.5.2024	
DRG. No.		AG324167 R00		
1st RELEASE ON CT No.		---		
SHEET No.		01 OF 01		

ALL INFORMATION CONTAINED IN THIS DOCUMENT IS CONFIDENTIAL AND THE PROPERTY OF THE COMPANY. REPRODUCTION OF THESE IN ANY FORM IS TO BE DONE WITH PERMISSION OF THE COMPANY.

REV	ZONE	CT No.	BRIEF RECORD	SIGNATURE	DATE

NIDEC INDUSTRIAL AUTOMATION INDIA PRIVATE LTD
 BANGALORE-562162

TITLE
 DIMENSION DRAWING

